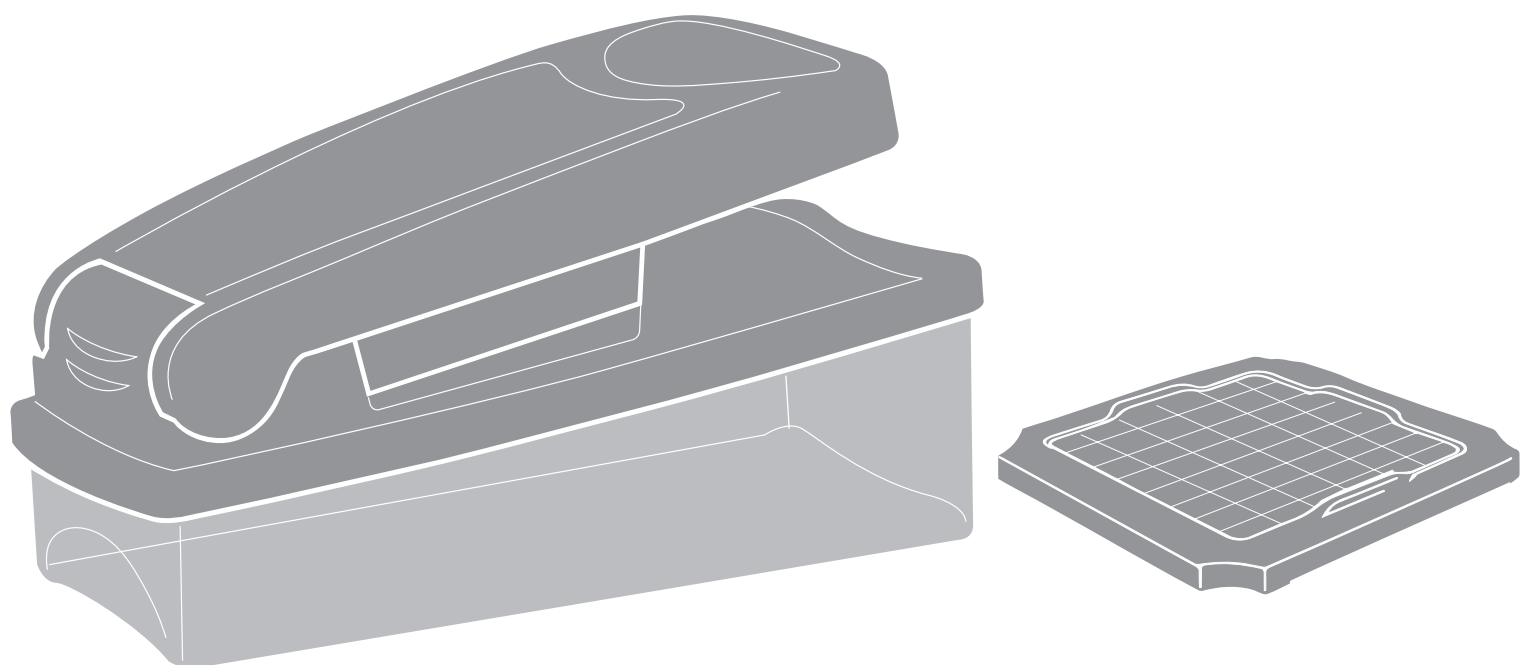
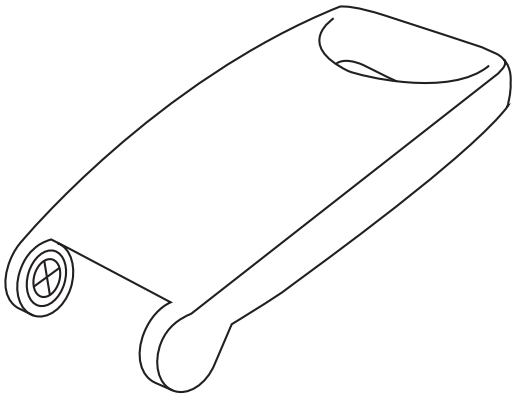
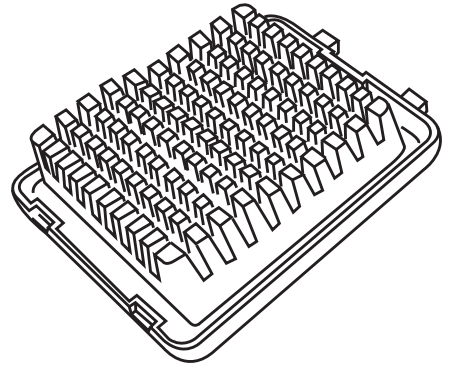


Super Dicer

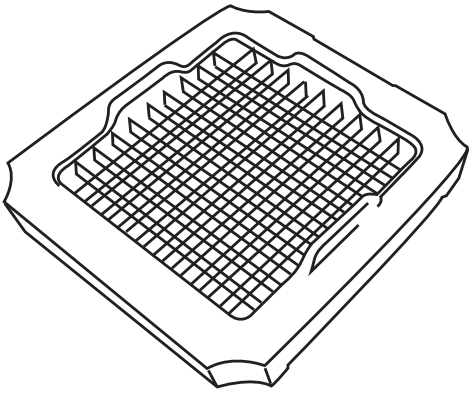




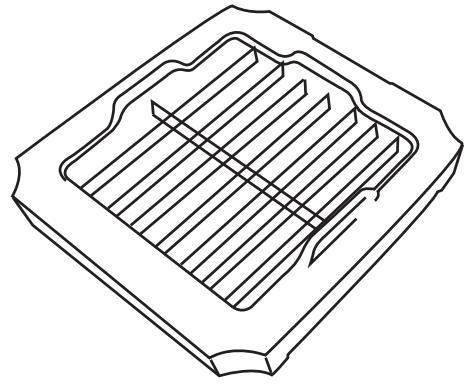
A



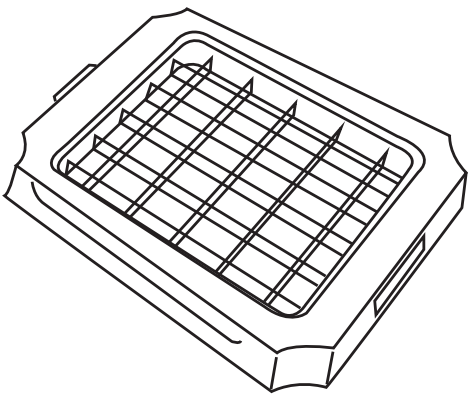
B



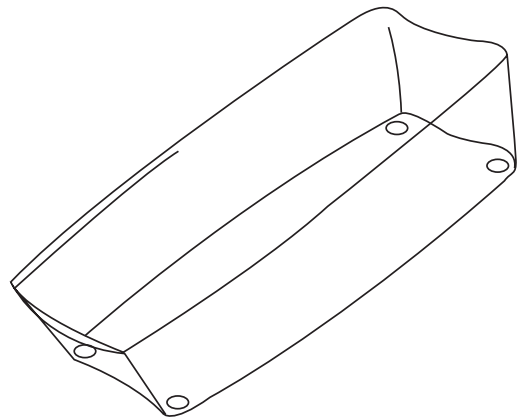
C



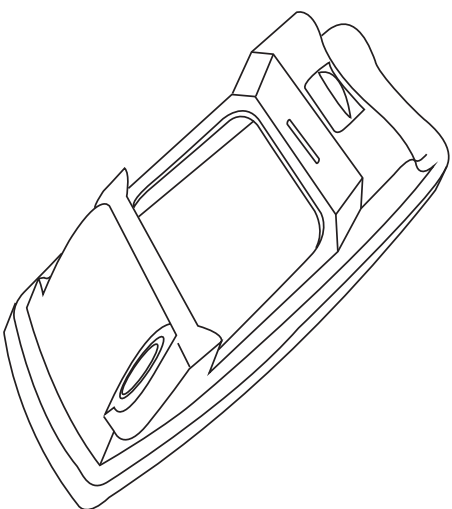
D



E



F



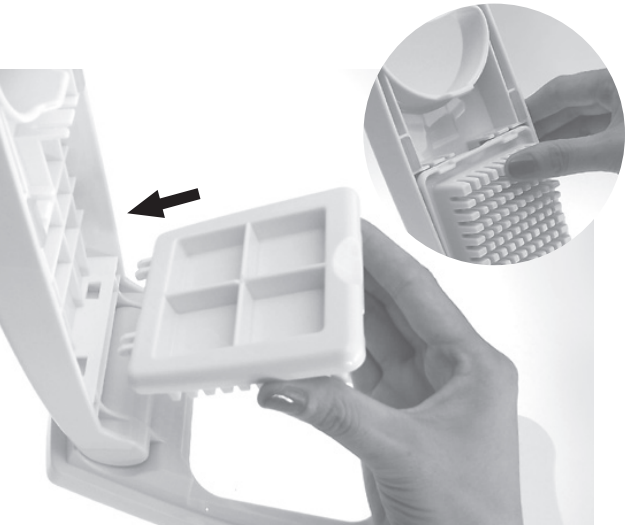
G



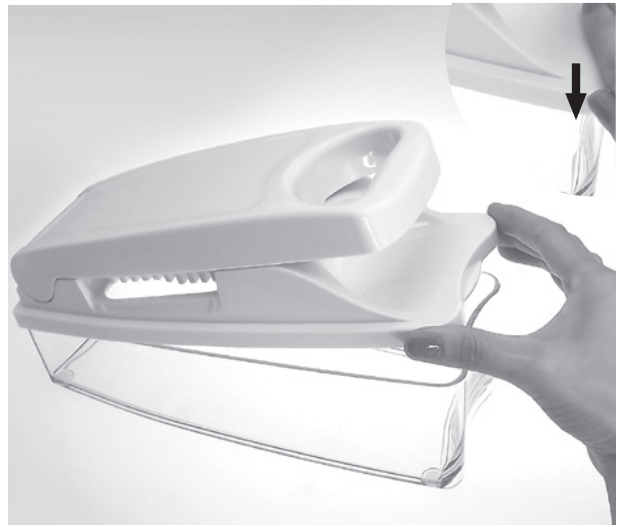
1



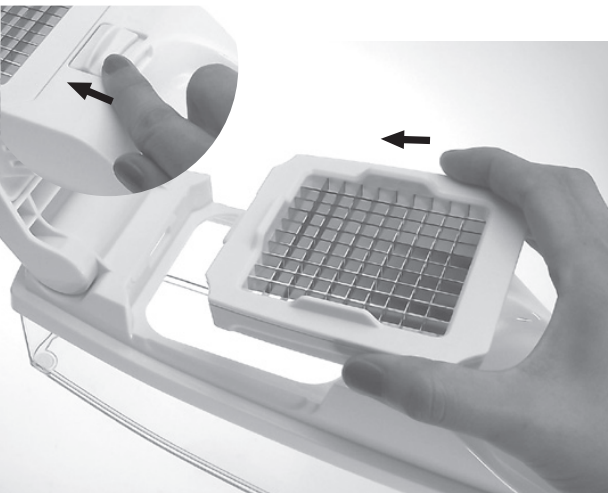
2



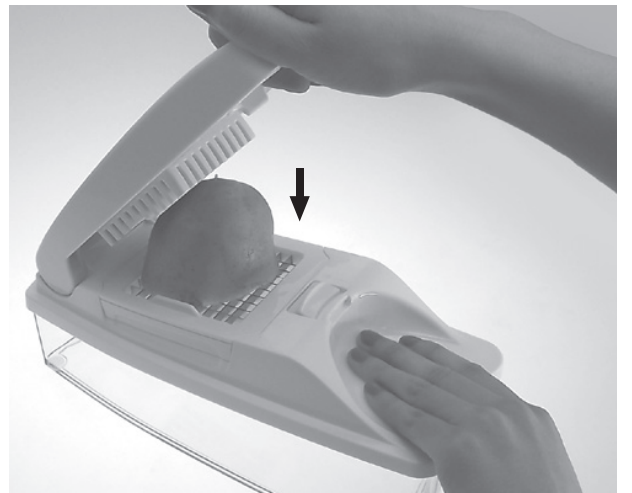
3



4



5



6



7

Thank you for choosing **Tupperware Super Dicer**; a multipurpose, powerful quick and easy food preparation tool that dices food with an efficient cutting blade. Please read and follow the instructions carefully.



Tupperware[®]

COMPOSITION:

- (A) Dicer Top
- (B) Pusher
- (C) 6.8mm Dice Blade
- (D) 6.8mm Slicer Blade
- (E) 13.6mm Dice Blade
- (F) Dicer Base
- (G) Container

USE AND CARE

- Always wash and rinse your new product before first use.
- **!WARNING!** You **MUST** use the food guider [pusher) at all times when in use.
DO NOT USE the product **WITHOUT THE FOOD GUIDER [PUSHER)**.
The blade is sharp and may cause injury if food guider is not used.
- DO NOT attempt to sharpen the blade.
- If the product is dropped, allow the product to fall on the floor.
DO NOT attempt to catch it in mid-air; this may result in injury.
- **!WARNING!** Avoid touching the blade(s) as it is (they are) extremely sharp.
- The high quality blade is designed to cut with minimal force and **MUST** but used with the utmost care. Keep out of reach of children or person with relevant impairments
at all times. Do not leave the product unattended when children or persons with relevant impairments are present.
- Always hold the blade insert by the plastic side; never grasp it by the blade.
Blades are not intended for crushing ice, as this will damage them.
- When not in use, the product should be set in locked position.
- DO NOT put your hands in the path of the blades.

INSTRUCTIONS TO USE:

1. Attach Dicer top to the base.
2. Click the knob underneath the lock
3. Attach pusher, latch the 2 pins and press to lock
4. Place Dicer unit on container press to lock
5. Select blade and insert to chopper base, switch to lock.
6. Place food on blade, hold chooper base and handle, press to dice.
7. Flip over chopper unit to store.

IMPORTANT GUIDELINES FOR USE:

- The Super Dicer works best to dice potatoes, bell peppers, onions, zucchini, kohlrabi, eggplant, carrots, cucumbers, celery and apples.
- The recommended size of the food to be cut is 6.5cm by 6.5cm
- The recommended thickness for dices are 1-1.5 cm and the recommended length for fries is 6 – 7 cm.
- The product is not suitable to be used with sticky food such as ham, feta or cheese nor with very hard vegetables such as celeriac or sweet potatoes. Tomatoes are too juicy to provide a satisfying result.

CLEANING GUIDELINES

- **! WARNING!** Wash the blade with caution as it is extremely sharp.
When washed by hand, use a brush to avoid touching the blade.
- It is recommended that you wash the blade immediately after each use and rinse the product thoroughly. After cleaning, allow to dry, then assemble the product and immediately set it to the locked position.
- Never let the blade come in contact with other metal, ceramic or glass instruments as this could damage and dull the cutting edge. Never let the blades come in contact with silicone parts or products as the blade could damage them.
- You may use any household cooking oil to remove food stains.
Staining does not impact the performance of the product and is not covered by the Tupperware warranty

THE TUPPERWARE® COMMITMENT

Our products reflect our commitment to making a measurable impact on the world around us. At Tupperware, we design all products with minimizing plastic and food waste in mind. By creating quality, durable and reusable products made to stand the test of time, we're supporting our mission to reduce waste for the longevity of our planet, our people and the communities in which we live and work.

The **Tupperware Super Dicer** is covered by a Tupperware warranty against any material or manufacturing defects that may occur when using the product according to directions and in normal household use.

This warranty does not include replacement for used or dull blades, nor does it cover rusting or other damage to the product resulting from negligent use or misuse of the product (i.e. excessive overheating, stains and scratches on the inside and outside, or any nicks it may have received or if it has been dropped).

Your Tupperware product is meant to be used again and again. If for any reason your product is damaged and not covered by warranty or you no longer need your product, please be responsible and recycle it, or let us know if we can help you.